



LED COLOUR

- 27 2700K
- 30 3000K
- 40 4000K

BEAM ANGLE

- 16 16°
- 24 24°
- 38 38°

FINISH

- MW Matt White
- MS Matt Silver
- GC Golden Champagne

INCLUDED DRIVER

- FO Fixed Output
- LT Leading & Trailing Edge
- 10 1-10V Dimming
- DL DALI Dimming

PRODUCT CODE

LT-PlasterIn-2/15/FXD/ / / / /

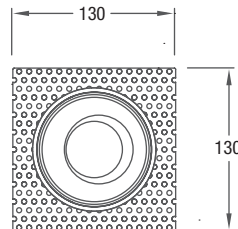
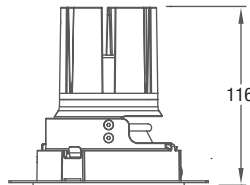
15W	Colour Temp (K)	2700	3000	4000
	Luminous Flux @ 24° (lm)	1122	1127	1147

APPLICATIONS

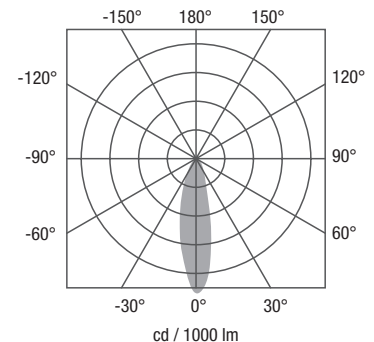
The LT-PlasterIn range of luminaires offer a simple & seamless lighting solution that are well suited for use in a wide range of architectural applications such as retail, bars, office as well as residential.

DESCRIPTION

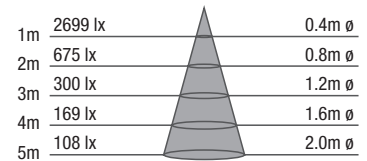
Constructed in die-cast aluminium the LT-PlasterIn range feature an integrated mesh around the bezel for the purpose of plastering into a ceiling detail for a seamless finish. The bezel & reflector of the LT-PlasterIn are combined into a single detachable & interchangeable item & is powder coated matt white as standard with the option of a matt silver or golden champagne finish on request.



Cut out ø105mm



(Curve shown for 3000K with 24° beam angle)



FEATURES

- IP20
- Clean and neat outlook design
- Integrated plast-in meshing
- Uses CREE XPE LED - low maintenance cost
- Dedicated thermal management guarantees LED lifetime @ 50,000 hours
- No UV or IR in the light beam
- Compatible with fixed output, leading and trailing edge dimming, 1-10V dimming & DALI dimming systems

Parameter	Specification		
Light Source	Cree COB		
Power Consumption (W)	15		
LED Current (mA)	DC 350		
Operating Voltage (V)	AC 100-240V 50/60Hz		
Colour Temperature (K)	2700	3000	4000
Luminous Flux @ 16° (lm)	1118	1135	1160
Luminous Flux @ 24° (lm)	1122	1127	1147
Luminous Flux @ 38° (lm)	1116	1133	1144
CRI (Ra)	> 80		
Lifetime (Hrs)	50,000		
Ingress Protection (IP)	20		
Driver Options	Fixed Output, Leading & Trailing Edge Dimming, 1-10V Dimming, DALI Dimming		