



3W	Colour Temp (K)	3000	6000
	Luminous Flux @ 60° (lm)	300	300

PRODUCT CODE

LT-Ingr-4/___/___/___

LED COLOUR

- 30** 3000K
- 60** 6000K
- R** Red
- G** Green
- B** Blue
- A** Amber
- RGB** RGB Colour Change

BEAM ANGLE

- 20** 20°
- 60** 60°

FINISH

- ST** 316 Stainless Steel

APPLICATIONS

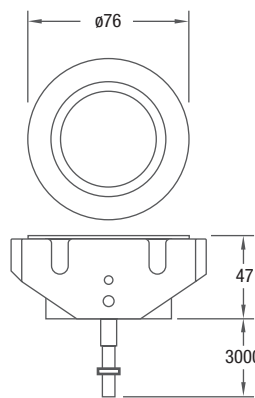
Designed for use in areas such as pathways, lobbies, decking, ponds, and swimming pools - the LT-Ingr-4 luminaire is very versatile.

DESCRIPTION

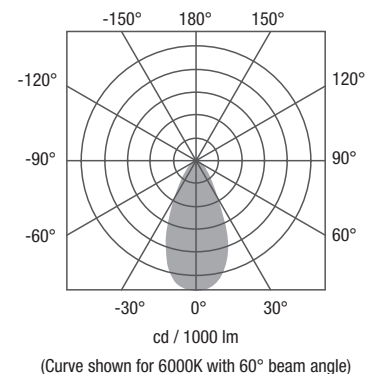
The LT-Ingr-4 is a powerful LED ground light that utilises 3 CREE XRE LEDs to create an intense saturated light output while minimising power consumption.

Manufactured from stainless steel and utilising a toughened clear glass lens, this luminaire is both robust and built to last, with an ingress protection rating of IP68.

A low profile design and simple wing springs ensure installation is quick and easy.



Cut out ø65mm



FEATURES

- IP68
- Clean and neat outlook design
- Uses CREE XRE LEDs - low maintenance cost
- Dedicated thermal management guarantees LED lifetime @ 50,000 hours
- Clear toughened glass lens
- Class III electrical classification
- No UV or IR in the light beam
- Compatible with fixed output systems

Parameter	Specification					
Light Source	CREE XRE LED					
Power Consumption (W)	3					
LED Current (mA)	DC 350					
Operating Voltage (V)	AC 100-240V 50/60Hz					
Colour Temperature (K)	3000	6000	Red (RGB)	Green (RGB)	Blue (RGB)	
Luminous Flux @ 20° (lm)	300	300	35	52	18	
Luminous Flux @ 60° (lm)	300	300	35	52	18	
CRI (Ra)	> 70					
Lifetime (Hrs)	50,000					
Ingress Protection (IP)	68					
LED Working Temp. (°C)	< 70					
Operating Temp. (°C)	-20 to +40					
Driver Options	Driver sold separately					