

19.2W/m	Colour Temp (K)	Red	Green	Blue	White
	Luminous Flux (lm)	98	362	90	356

PRODUCT CODE

LT-Flex-5/RGBW

LT-Flex-5's slender design makes it ideal for fitting into linear aluminium extrusions which in turn could be used for illumination in retail, bars, shopping centres, public buildings, office, and residential.

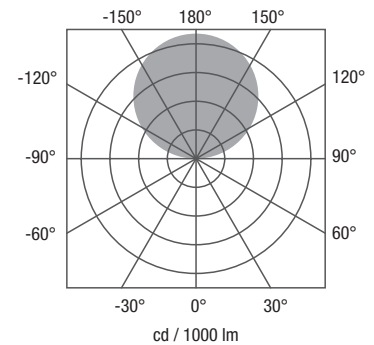
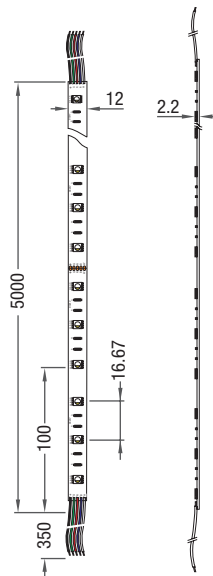
DESCRIPTION

The LT-Flex-5 linear LED tape uses the very latest in LED lighting technologies to offer instant on and efficient control to maximise energy savings. LT-Flex-5 features an even distribution of LEDs affixed to a flexible PCB that allows it to be fitted into virtually any location whether it be linear or curved.

High efficiency and low power consumption mean that LT-Flex-5 is extremely environmentally friendly, helping significantly with carbon reduction programmes.

FEATURES

- IP20
- Supplied in 5000mm sections with cut points at 100mm intervals
- Uses 5050 SMD LED's
- Long LED lifetime with an expectancy of 50,000 hours
- 5-step MacAdam ellipse
- No UV or IR in the light



Parameter		Specification			
Light Source		5050 SMD LED			
Power Consumption (W)		19.2 per metre			
Number of LEDs		60 per metre			
Operating Voltage (V)		DC 24V			
Colour Temperature (K)		Red	Green	Blue	White
Luminous Flux (lm)		98	362	90	356
CRI (Ra)		> 80			
Lifetime (Hrs)		50,000			
Ingress Protection (IP)		20			