

<b>13.2W/m</b>	Colour Temp (K)	2700	3000	4000
	Luminous Flux (lm)	900	900	1040

**PRODUCT CODE**

LED COLOUR

- 27 2700K
- 30 3000K
- 40 4000K

LT-Flex-2 /

## APPLICATIONS

LT-Flex-2's slender design makes it ideal for fitting into linear aluminium extrusions which in turn could be used for illumination in retail, bars, shopping centres, public buildings, office, and residential.

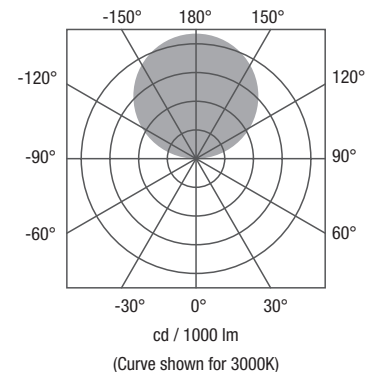
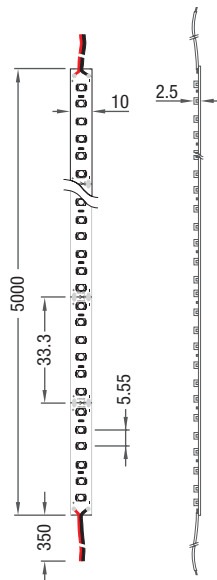
## DESCRIPTION

The LT-Flex-2 linear LED tape uses the very latest in LED lighting technologies to offer instant on and efficient control to maximise energy savings. LT-Flex-2 features an even distribution of LEDs affixed to a flexible PCB that allows it to be fitted into virtually any location whether it be linear or curved.

High efficiency and low power consumption mean that LT-Flex-2 is extremely environmentally friendly, helping significantly with carbon reduction programmes.

## FEATURES

- IP20
- Supplied in 5000mm sections with cut points at 33.3mm intervals
- Uses 3528 SMD LED's
- Long LED lifetime with an expectancy of 50,000 hours
- 5-step MacAdam ellipse
- No UV or IR in the light



Parameter	Specification		
Light Source	3528 SMD LED		
Power Consumption (W)	13.2 per metre		
Number of LEDs	180 per metre		
Operating Voltage (V)	DC 24V		
Colour Temperature (K)	2700	3000	4000
Luminous Flux (lm)	900	900	1040
CRI (Ra)	> 80		
Lifetime (Hrs)	50,000		
Ingress Protection (IP)	20		