

7W/m	Colour Temp (K)	2700	3000	4000
	Luminous Flux (lm)	480	480	585

LED COLOUR

- 27 2700K
- 30 3000K
- 40 4000K

PRODUCT CODE

LT-Flex-10/

APPLICATIONS

LT-Flex-10's slender design makes it ideal for fitting into linear aluminium extrusions which in turn could be used for illumination in retail, bars, shopping centres, public buildings, office, and residential.

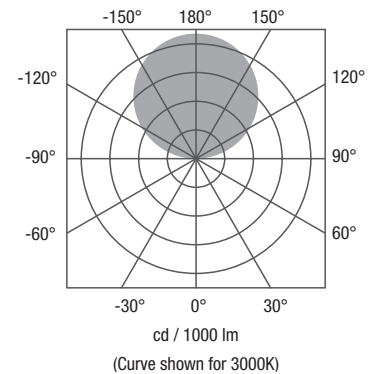
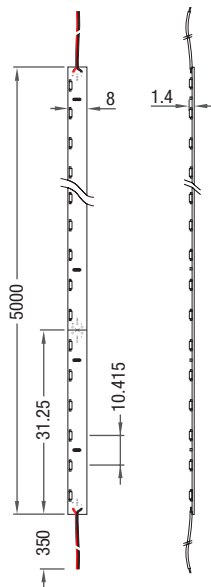
DESCRIPTION

The LT-Flex10 linear LED tape uses the very latest in LED lighting technologies to offer instant on and efficient control to maximise energy savings and help significantly with carbon reuction programmes.

Unique to our range of LED tapes, LT-Flex10 features an even distribution of LEDs mounted on their sides near the edge of the PCB for a sideways distribution of light. Combined with the flexibility of the PCB, this LED tape can be fitted into virtually any location whether it be linear or curved.

FEATURES

- IP20
- Supplied in 5000mm sections with cut points at 31.25mm intervals
- Uses 335 high brightness SMD LED's
- Long LED lifetime with an expectancy of 50,000 hours
- 5-step MacAdam ellipse
- No UV or IR in the light



Parameter	Specification		
Light Source	335 high brightness SMD LED		
Power Consumption (W)	7 per metre		
Number of LEDs	96 per metre		
Operating Voltage (V)	DC 24V		
Colour Temperature (K)	2700	3000	4000
Luminous Flux (lm)	480	480	585
CRI (Ra)	> 80		
Lifetime (Hrs)	50,000		
Ingress Protection (IP)	20		