



7W	Colour Temp (K)	3000	4000
	Luminous Flux @ 90° (lm)	230	235

PRODUCT CODE

LT-Wall-5/ / / /

LED COLOUR

- 30 3000K
- 40 4000K

BEAM ANGLE

- 90 90°

FINISH

- MW Matt White

INCLUDED DRIVER

- FO Fixed Output

APPLICATIONS

Designed for use in retail, bars, shopping centres, public buildings, office and residential as an accent luminaire.

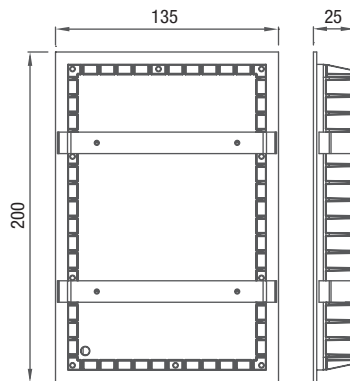
DESCRIPTION

The LT-Wall-5 is a recessed wall light that produces a downward facing asymmetric wash of light.

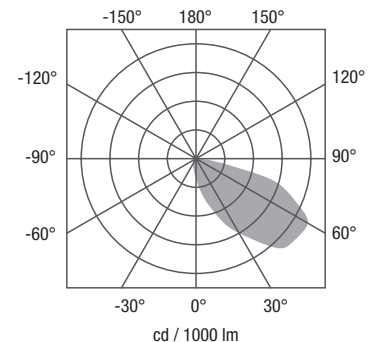
This luminaire is available in a white finish and is manufactured complete with plug-and-play cable for easy installation.

FEATURES

- IP20
- Clean and neat design
- Uses SMD LED - low maintenance cost
- Dedicated thermal management guarantees LED lifetime @ 50,000 hours
- No UV or IR in the light beam
- Compatible with fixed output systems



Cut out 125 x 187mm



(Curve shown for 3000K with 90° beam angle)

1m	75.5 lx	1.0m ø
2m	18.8 lx	2.0m ø
3m	8.4 lx	3.0m ø
4m	4.7 lx	4.0m ø
5m	3.0 lx	5.0m ø

Parameter	Specification	
Light Source	SMD LED	
Power Consumption (W)	7	
LED Current (mA)	DC 350	
Operating Voltage (V)	AC 100-240V 50/60Hz	
Colour Temperature (K)	3000	4000
Luminous Flux @ 90° (lm)	230	235
CRI (Ra)	> 80	
Lifetime (Hrs)	50,000	
Ingress Protection (IP)	20	
Driver Options	Fixed Output	