



<b>40W</b>	Colour Temp (K)	2700	3000	4000
	Luminous Flux @ 40° (lm)	2680	2850	3000

**PRODUCT CODE**

LT-Track-3/ / / /

**LED COLOUR**

- 27 2700K
- 30 3000K
- 40 4000K

**BEAM ANGLE**

- 20 20°
- 40 40°
- 60 60°

**FINISH**

- MW Matt White
- MB Matt Black

**INCLUDED DRIVER**

- FO Fixed Output

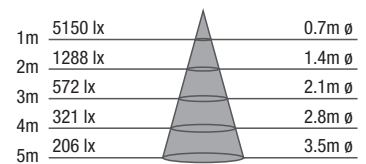
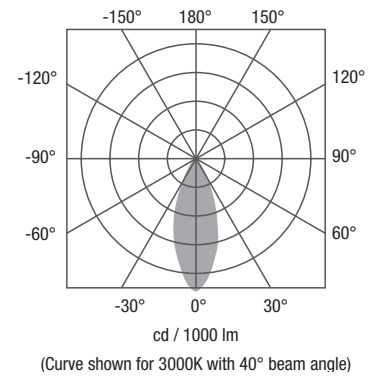
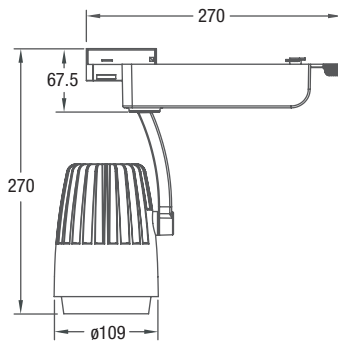
**APPLICATIONS**

Designed for use in 4 or 3-circuit track systems typically found in retail stores, shopping centres, public buildings, and offices.

**DESCRIPTION**

The LT-Track-3 tracklight is an accent light designed to create texture, focus and shape to general lighting. It can be used to provide dramatic effect by creating highlights and shadows.

This luminaire is available in a white or black finish and is manufactured complete with 4-pin connector to fit 3-circuit track.



**FEATURES**

- IP20
- Clean and neat outlook design
- Uses Bridgelux COB LED - low maintenance cost
- Dedicated thermal management guarantees LED lifetime @ 50,000 hours
- No UV or IR in the light beam
- Compatible with fixed output 3 or 4-circuit track systems

Parameter		Specification		
Light Source		Bridgelux COB LED		
Power Consumption	(W)	40		
LED Current	(mA)	DC 1200		
Operating Voltage	(V)	AC 100-240V 50/60Hz		
Colour Temperature	(K)	2700	3000	4000
Luminous Flux @ 20°	(lm)	2725	2945	2995
Luminous Flux @ 40°	(lm)	2680	2850	3000
Luminous Flux @ 60°	(lm)	2575	2760	2835
CRI	(Ra)	> 80		
Lifetime	(Hrs)	50,000		
Ingress Protection	(IP)	20		
Driver Options		Fixed Output		