



30W	Colour Temp (K)	2700	3000	4000
	Luminous Flux @ 40° (lm)	1805	1885	2050

PRODUCT CODE

LT-Track-2/ / / /

LED COLOUR

- 27 2700K
- 30 3000K
- 40 4000K

BEAM ANGLE

- 20 20°
- 40 40°
- 60 60°

FINISH

- MW Matt White
- MB Matt Black

INCLUDED DRIVER

- FO Fixed Output

APPLICATIONS

Designed for use in 4 or 3-circuit track systems typically found in retail stores, shopping centres, public buildings, and offices.

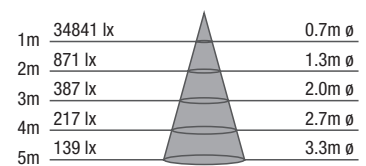
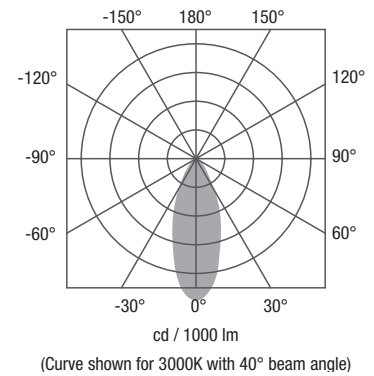
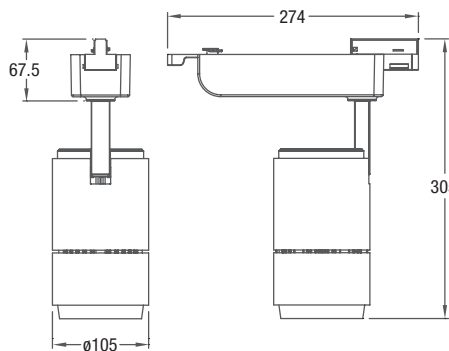
DESCRIPTION

The LT-Track 2 tracklight is an accent light designed to create texture, focus and shape to general lighting. It can be used to provide dramatic effect by creating highlights and shadows.

This luminaire is available in a white or black finish and is manufactured complete with 4-pin connector to fit 3-circuit track.

FEATURES

- IP20
- Clean and neat outlooking design
- Uses Bridgelux COB LED - low maintenance cost
- Dedicated thermal management guarantees LED lifetime @ 50,000 hours
- No UV or IR in the light beam
- Compatible with fixed output 4 or 3-circuit track systems



Parameter		Specification		
Light Source		Bridgelux COB LED		
Power Consumption	(W)	30		
LED Current	(mA)	DC 800		
Operating Voltage	(V)	AC 100-240V 50/60Hz		
Colour Temperature	(K)	2700	3000	4000
Luminous Flux @ 20°	(lm)	1895	1950	2070
Luminous Flux @ 40°	(lm)	1805	1895	2050
Luminous Flux @ 60°	(lm)	1755	1835	1850
CRI	(Ra)	> 80		
Lifetime	(Hrs)	50,000		
Ingress Protection	(IP)	20		
Driver Options		Fixed Output		