

16.8W/m	Colour Temp (K)	2700	4000
	Luminous Flux (lm)	756	840

PRODUCT CODE

LT-Flex-12

APPLICATIONS

LT-Flex-12's slender design makes it ideal for fitting into linear aluminium extrusions which in turn could be used for illumination in retail, bars, shopping centres, public buildings, office, and residential.

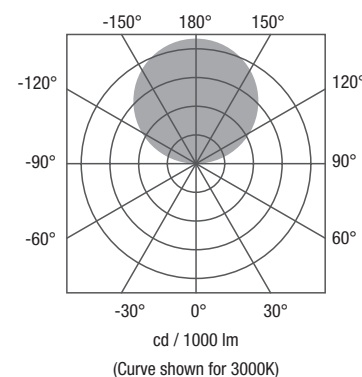
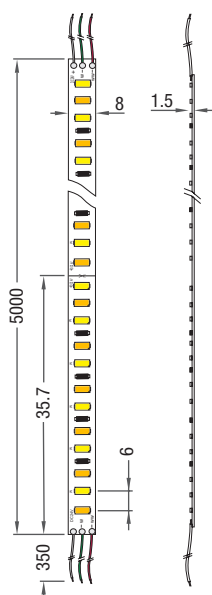
DESCRIPTION

Unique to our range, LT-Flex-12 is a tuneable white LED tape which features 168 LED chips per metre which alternate in colour between 2700K and 4000K.

Utilising the very latest in LED lighting technologies to offer both instant on and efficient control to maximise energy savings, LT-Flex-12 will help significantly with carbon reduction programmes.

FEATURES

- IP20
- Supplied in 5000mm sections with cut points at 35.7mm intervals
- Uses 3014 SMD LED's
- Long LED lifetime with an expectancy of 50,000 hours
- 5-step MacAdam ellipse
- No UV or IR in the light



Parameter	Specification	
Light Source	3014 SMD LED	
Power Consumption (W)	16.8 per metre	
Number of LEDs	168 per metre	
Operating Voltage (V)	DC 24V	
Colour Temperature (K)	2700	4000
Luminous Flux (lm)	756	840
CRI (Ra)	> 80	
Lifetime (Hrs)	50,000	
Ingress Protection (IP)	20	

