



13.2W/m	Colour	Red	Green	Blue
	Luminous Flux (lm)	129	364	72

PRODUCT CODE

LT-Flex-11/RGB

APPLICATIONS

LT-Flex-11's slender design makes it ideal for fitting into linear aluminium extrusions which in turn could be used for illumination in retail, bars, shopping centres, public buildings, office, and residential.

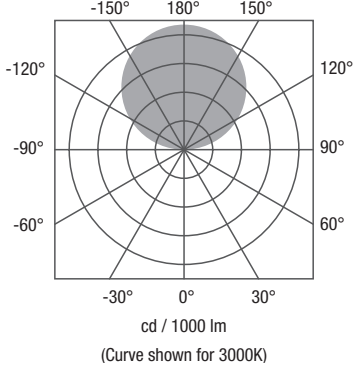
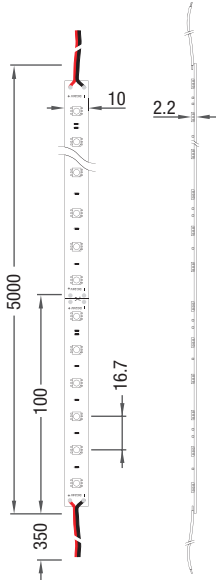
DESCRIPTION

The LT-Flex-11 linear LED tape uses the very latest in LED lighting technologies to offer instant on and efficient control to maximise energy savings. OptaFLEX 11 features an even distribution of RGB LEDs providing a full spectrum of colours.

High efficiency and low power consumption mean that LT-Flex-11 is extremely environmentally friendly, helping significantly with carbon reduction programmes.

FEATURES

- IP20
- Supplied in 5000mm sections with cut points at 100mm intervals
- Uses 5050 SMD LED's
- Long LED lifetime with an expectancy of 50,000 hours
- 5-step MacAdam ellipse
- No UV or IR in the light



Parameter	Specification		
Light Source	5050 SMD LED		
Power Consumption (W)	13.2 per metre		
Number of LEDs	60 per metre		
Operating Voltage (V)	DC 24V		
Colour	Red	Green	Blue
Luminous Flux (lm)	129	364	72
CRI (Ra)	> 80		
Lifetime (Hrs)	50,000		
Ingress Protection (IP)	20		

