

9W	Colour Temp (K)	2700	3000	4000
	Luminous Flux @ 38° (lm)	419	434	448

LED COLOUR

- 27 2700K
- 30 3000K
- 40 4000K

BEAM ANGLE

- 15 15°
- 24 24°
- 38 38°
- 60 60°

FINISH

- MW Matt White
- MB Matt Black

INCLUDED DRIVER

- FO Fixed Output
- LT Leading & Trailing Edge
- 10 1-10V Dimming

PRODUCT CODE

LT-Down-3/9 / / / /

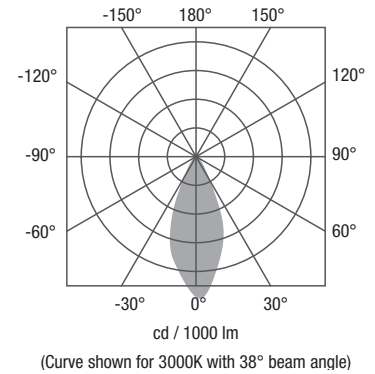
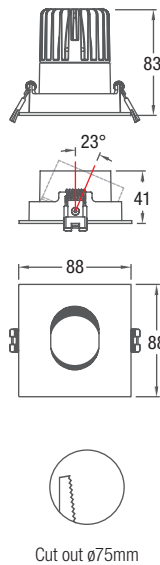
APPLICATIONS

Designed to function as an accent light for numerous and varied applications such as retail displays, bars, shopping centres, public buildings, office and residential.

DESCRIPTION

The LT-Down-3/9 downlight features an adjustable tilt angle of up to 23° and an inner baffle to provide anti-glaring. The slot shaped bezel opening coupled with the latest Bridgelux COB LEDs provide a strong and evenly distributed beam of light.

This luminaire is constructed from die-cast aluminium with a white or black matt finish and is manufactured complete with plug-and-play cable for easy installation.



1m	991 lx	0.7m ø
2m	247 lx	1.4m ø
3m	110 lx	2.1m ø
4m	62 lx	2.9m ø
5m	39 lx	3.6m ø

FEATURES

- IP20
- Clean and neat outlooking design
- Uses Bridgelux COB LED - low maintenance cost
- Dedicated thermal management guarantees LED lifetime @ 50,000 hours
- No UV or IR in the light beam
- Compatible with fixed output, leading and trailing edge dimming, and 1-10V dimming systems

Parameter	Specification		
Light Source	Bridgelux COB		
Power Consumption (W)	9		
LED Current (mA)	DC 400		
Operating Voltage (V)	AC 100-240V 50/60Hz		
Colour Temperature (K)	2700	3000	4000
Luminous Flux @ 15° (lm)	413	432	438
Luminous Flux @ 24° (lm)	400	416	428
Luminous Flux @ 38° (lm)	419	434	448
Luminous Flux @ 60° (lm)			
CRI (Ra)	> 80		
Lifetime (Hrs)	50,000		
Ingress Protection (IP)	20		
Driver Options	Fixed Output, Leading & Trailing Edge Dimming, 1-10V Dimming		

