



15W	Colour Temp (K)	3000	4000
	Luminous Flux @ 90° (lm)	1205	1410

LED COLOUR
 30 3000K
 40 4000K

BEAM ANGLE
 90 90°

FINISH
 MW Matt White

INCLUDED DRIVER
 FO Fixed Output
 LT Leading & Trailing Edge

PRODUCT CODE
 LT-Down-24/15 / / / / /

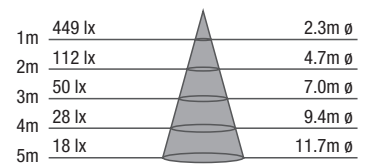
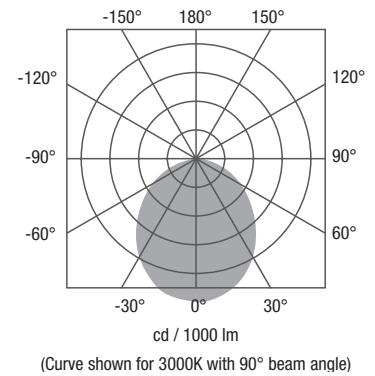
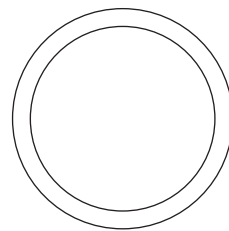
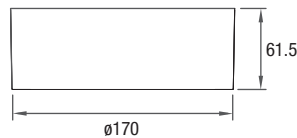
APPLICATIONS

The clean design of this range make them perfectly suited for installation in any setting, such as in retail, bars, shopping centres, public buildings, office and residential.

DESCRIPTION

The LT-Down-24/15 is a low-profile ceiling mounted downlight that features an evenly distributed 90° beam angle and an opalised diffuser making this downlight suitable for a wide variety of architectural applications.

This luminaire is available in a white finish and is manufactured complete with plug-and-play cable for easy installation.



FEATURES

- IP20
- Clean and neat outlook design
- Uses 4014 SMD LED - low maintenance cost
- Dedicated thermal management guarantees LED lifetime @ 50,000 hours
- No UV or IR in the light beam
- Compatible with fixed output and leading and trailing edge dimming systems

Parameter	Specification
Light Source	4014 SMD LED
Power Consumption (W)	15
LED Current (mA)	DC 350
Operating Voltage (V)	AC 100-240V 50/60Hz
Colour Temperature (K)	3000 4000
Luminous Flux @ 90° (lm)	1205 1410
CRI (Ra)	> 80
Lifetime (Hrs)	50,000
Ingress Protection (IP)	20
Driver Options	Fixed Output, Leading & Trailing Edge Dimming