

23W	Colour Temp (K)	3000	4000
	Luminous Flux @ 90° (lm)	1870	2090

PRODUCT CODE

LT-Down-19/23S IP65 / / /

LED COLOUR

- 30 3000K
- 40 4000K

BEAM ANGLE

- 90 90°

FINISH

- MW Matt White
- S Silver

INCLUDED DRIVER

- FO Fixed Output
- LT Leading & Trailing Edge
- 10 1-10V Dimming
- DL DALI Dimming

APPLICATIONS

Designed for use in retail, bars, shopping centres, public buildings, office and residential.

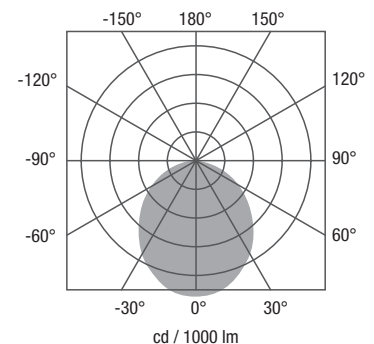
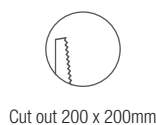
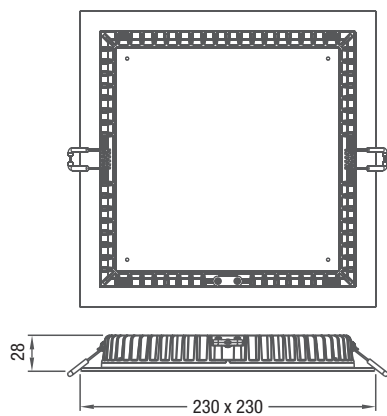
DESCRIPTION

The LT-Down-19/23S (IP65) is a low-profile recessed downlight ideal for use in areas with shallow ceiling depth. Featuring an evenly distributed 90° beam angle, this downlight can be applied in a wide variety of architectural applications.

This luminaire is available in a matt white or silver finish and is manufactured complete with plug-and-play cable for easy installation.

FEATURES

- IP20 or IP65
- Clean and neat outlooking design
- Uses 4014 SMD LED - low maintenance cost
- Dedicated thermal management guarantees LED lifetime @ 50,000 hours
- No UV or IR in the light beam
- Compatible with fixed output, leading and trailing edge dimming, 1-10V dimming, and DALI dimming systems
- Standard with an opal diffuser. An alternate anti-glare MPO (Micro Prism Optic) diffuser is also available upon request.



(Curve shown for 3000K with 90° beam angle)

1m	672 lx	2.4m ø
2m	168 lx	4.8m ø
3m	74 lx	7.1m ø
4m	42 lx	9.5m ø
5m	26 lx	11.9m ø

Parameter	Specification
Light Source	4014 SMD LED
Power Consumption (W)	23
LED Current (mA)	DC 350
Operating Voltage (V)	AC 100-240V 50/60Hz
Colour Temperature (K)	3000 4000
Luminous Flux @ 90° (lm)	1870 2090
CRI (Ra)	> 80
Lifetime (Hrs)	50,000
Ingress Protection (IP)	20 (65 available on request)
Diffuser	Opalised (anti-glare MPO available on request)
Driver Options	Fixed Output, Leading & Trailing Edge Dimming, 1-10V Dimming, DALI Dimming