

<b>33W</b>	Colour Temp (K)	2700	3000	4000
	Luminous Flux @ 60° (lm)	2408	2503	2763

**PRODUCT CODE**

LT-Down-17/33 / \_ / \_ / \_

**LED COLOUR**

- 27 2700K
- 30 3000K
- 40 4000K

**BEAM ANGLE**

- 40 40°
- 60 60°

**FINISH**

- MW Matt White

**INCLUDED DRIVER**

- FO Fixed Output
- LT Leading & Trailing Edge
- DL DALI Dimming

**APPLICATIONS**

Designed for use in retail, bars, shopping centres, public buildings, office and residential – the LT-Down-17/33 luminaire offers ambient lighting at its best.

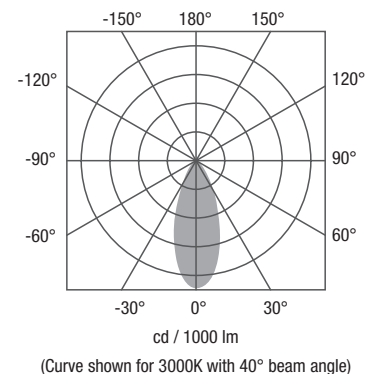
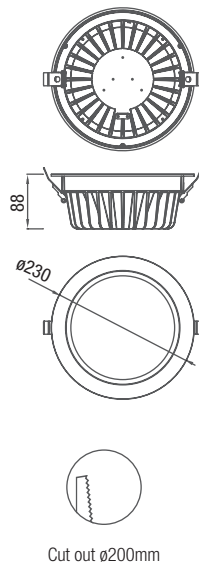
**DESCRIPTION**

The LT-Down-17/33 is IP54 rated downlight that is ideal to be used in wet environments. Beautifully engineered to provide a smooth distribution, this downlight can be applied in a wide variety of architectural applications.

This luminaire is available in a white finish and is manufactured complete with plug-and-play cable for easy installation.

**FEATURES**

- IP54
- Clean and neat outlooking design
- Uses Bridgelux COB - low maintenance cost
- Dedicated thermal management guarantees LED lifetime @ 50,000 hours
- No UV or IR in the light beam
- Compatible with fixed output, leading and trailing edge dimming, and DALI dimming systems



1m	3571 lx	0.7m ø
2m	892 lx	1.5m ø
3m	396 lx	2.2m ø
4m	223 lx	2.9m ø
5m	142 lx	3.6m ø

Parameter	Specification		
Light Source	Bridgelux COB		
Power Consumption (W)	33		
LED Current (mA)	DC 900		
Operating Voltage (V)	AC 100-240V 50/60Hz		
Colour Temperature (K)	2700	3000	4000
Luminous Flux @ 40° (lm)	2360	2451	2722
Luminous Flux @ 60° (lm)	2408	2503	2763
CRI (Ra)	> 80		
Lifetime (Hrs)	50,000		
Ingress Protection (IP)	54		
Driver Options	Fixed Output, Leading & Trailing Edge Dimming, DALI Dimming		