



| | | | | |
|-----------|--------------------------|------|------|------|
| 9W | Colour Temp (K) | 2700 | 3000 | 4000 |
| | Luminous Flux @ 40° (lm) | 650 | 660 | 665 |

LED COLOUR

- 27 2700K
- 30 3000K
- 40 4000K

BEAM ANGLE

- 20 20°
- 40 40°
- 55 55°

FINISH

- MW Matt White
- MB Matt Black
- S Silver

INCLUDED DRIVER

- FO Fixed Output
- LT Leading & Trailing Edge
- 10 1-10V Dimming

PRODUCT CODE

LT-Down-15/9Adj ___ / ___ / ___ / ___

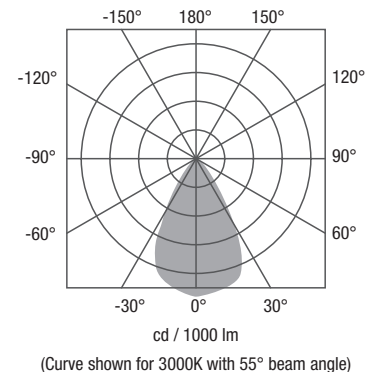
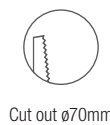
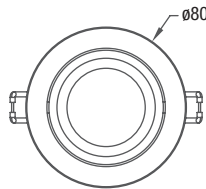
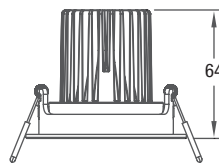
APPLICATIONS

This range of luminaires offer a simple and elegant lighting solution that are well suited for use in a wide range of architectural applications such as retail, bars, office and residential.

DESCRIPTION

Constructed in die-cast aluminium and powder coated to a white, silver or black matt finish. The COB LED and reflector sits neatly behind the flush bezel to produce maximum output and a clean lighting effect. The housing of this downlight has an adjustable tilt angle of up to 30°.

Manufactured complete with plug-and-play cable for ease of installation.



| | | |
|----|--------|--------|
| 1m | 760 lx | 1.0m ø |
| 2m | 190 lx | 2.1m ø |
| 3m | 84 lx | 3.1m ø |
| 4m | 47 lx | 4.2m ø |
| 5m | 30 lx | 5.2m ø |

FEATURES

- IP20
- Clean and neat outlooking design
- Uses CREE XPE LED - low maintenance cost
- Dedicated thermal management guarantees LED lifetime @ 50,000 hours
- No UV or IR in the light beam
- Compatible with fixed output, leading and trailing edge dimming, and 1-10V dimming systems

| Parameter | Specification | | |
|--------------------------|--|------|------|
| Light Source | Cree COB (X Lamp CXA1507) | | |
| Power Consumption (W) | 9 | | |
| LED Current (mA) | DC 200 | | |
| Operating Voltage (V) | AC 100-240V 50/60Hz | | |
| Colour Temperature (K) | 2700 | 3000 | 4000 |
| Luminous Flux @ 20° (lm) | 660 | 675 | 665 |
| Luminous Flux @ 40° (lm) | 650 | 660 | 665 |
| Luminous Flux @ 55° (lm) | 640 | 665 | 660 |
| CRI (Ra) | > 80 | | |
| Lifetime (Hrs) | 50,000 | | |
| Ingress Protection (IP) | 20 | | |
| Driver Options | Fixed Output, Leading & Trailing Edge Dimming, 1-10V Dimming | | |