



LED COLOUR

- 27 2700K
- 30 3000K
- 40 4000K

BEAM ANGLE

- 20 20°
- 40 40°
- 55 55°

FINISH

- MW Matt White
- MB Matt Black
- S Silver

INCLUDED DRIVER

- FO Fixed Output
- LT Leading & Trailing Edge
- 10 1-10V Dimming
- DL DALI Dimming

PRODUCT CODE

LT-Down14-15Adj/ / / /

15W	Colour Temp (K)	2700	3000	4000
	Luminous Flux @ 40° (lm)	960	1010	1040

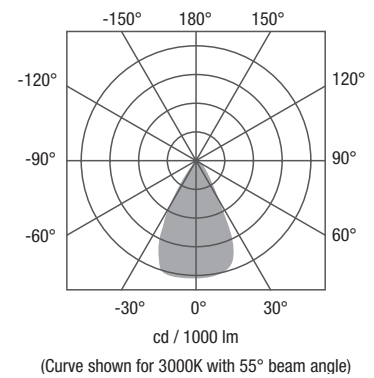
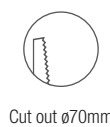
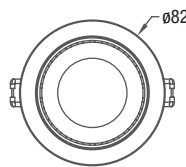
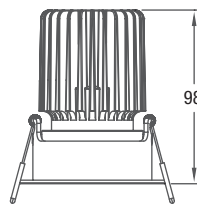
APPLICATIONS

This range of luminaires offer a simple and elegant lighting solution that are well suited for use in a wide range of architectural applications such as retail, bars, office and residential.

DESCRIPTION

Constructed in die-cast aluminium and powder coated to a white, silver or black matt finish. The COB LED and reflector sits neatly behind the sunken bezel and produces a clean lighting effect.

This downlight has an adjustable tilt angle of up to 30° and is manufactured complete with plug-and-play cable for ease of installation.



(Curve shown for 3000K with 55° beam angle)

1m	1243 lx	1.0m ø
2m	311 lx	2.0m ø
3m	138 lx	3.0m ø
4m	78 lx	4.0m ø
5m	60 lx	5.0m ø

FEATURES

- IP20
- Clean and neat outlooking design
- Bridgelux Vero 10 COB LED - low maintenance cost
- Compatible with fixed output, leading and trailing edge dimming, 1-10V dimming, and DALI dimming systems
- Dedicated thermal management guarantees LED lifetime @ 50,000 hours
- No UV or IR in the light beam

Parameter	Specification		
Light Source	Bridgelux COB (Vero 10)		
Power Consumption (W)	15		
LED Current (mA)	DC 450		
Operating Voltage (V)	AC 100-240V 50/60Hz		
Colour Temperature (K)	2700	3000	4000
Luminous Flux @ 20° (lm)	975	1035	1030
Luminous Flux @ 40° (lm)	960	1010	1040
Luminous Flux @ 55° (lm)	970	1040	1120
CRI (Ra)	> 80		
Lifetime (Hrs)	50,000		
Ingress Protection (IP)	20		
Driver Options	Fixed Output, Leading & Trailing Edge Dimming, 1-10V Dimming, DALI Dimming		