



9W	Colour Temp (K)	2700	3000	4000
	Luminous Flux @ 40° (lm)	650	660	665

LED COLOUR

- 27 2700K
- 30 3000K
- 40 4000K

BEAM ANGLE

- 20 20°
- 40 40°
- 55 55°

FINISH

- MW Matt White
- MB Matt Black
- S Silver

INCLUDED DRIVER

- FO Fixed Output
- LT Leading & Trailing Edge
- 10 1-10V Dimming

PRODUCT CODE

LT-Down-13/9/___/___/___/___

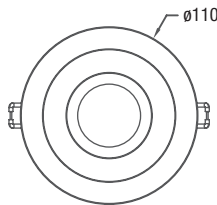
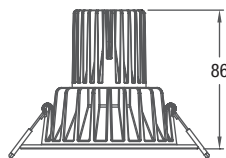
APPLICATIONS

This range of luminaires offer a simple and elegant lighting solution that are well suited for use in a wide range of architectural applications such as retail, bars, office and residential.

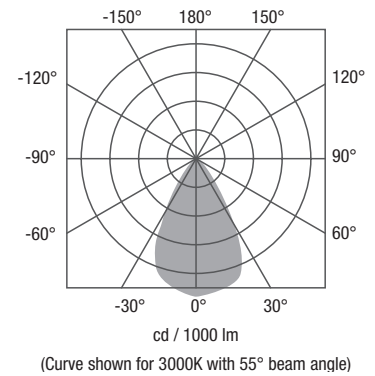
DESCRIPTION

Constructed in die-cast aluminium and powder coated to a white, silver or black matt finish. The deep recessed COB LED position provides minimal glare that washes down a wide sloped housing to the thin bezel.

Manufactured complete with plug-and-play cable for ease of installation.



Cut out ø90-100mm



1m	760 lx	1.0m ø
2m	190 lx	2.1m ø
3m	84 lx	3.1m ø
4m	47 lx	4.2m ø
5m	30 lx	5.2m ø

FEATURES

- IP20
- Clean and neat outlooking design
- Uses CREE XPE LED - low maintenance cost
- Dedicated thermal management guarantees LED lifetime @ 50,000 hours
- No UV or IR in the light beam
- Compatible with fixed output, leading and trailing edge dimming, and 1-10V dimming systems

Parameter	Specification		
Light Source	Cree COB (X Lamp CXA1507)		
Power Consumption (W)	9		
LED Current (mA)	DC 200		
Operating Voltage (V)	AC 100-240V 50/60Hz		
Colour Temperature (K)	2700	3000	4000
Luminous Flux @ 20° (lm)	660	675	665
Luminous Flux @ 40° (lm)	650	660	665
Luminous Flux @ 55° (lm)	640	665	660
CRI (Ra)	> 80		
Lifetime (Hrs)	50,000		
Ingress Protection (IP)	20		
Driver Options	Fixed Output, Leading & Trailing Edge Dimming, 1-10V Dimming		