



3W	Colour Temp (K)	3000	4000	6000
	Luminous Flux @ 30° (lm)	120	132	148

PRODUCT CODE

LT-Down-10/ / / /

LED COLOUR

- 30 3000K
- 40 4000K
- 60 6000K

BEAM ANGLE

- 15 15°
- 30 30°
- 45 45°
- 60 60°

FINISH

- MW Matt White

INCLUDED DRIVER

- FO Fixed Output

APPLICATIONS

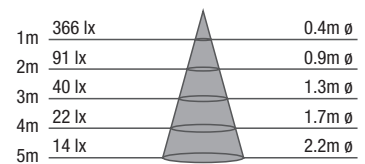
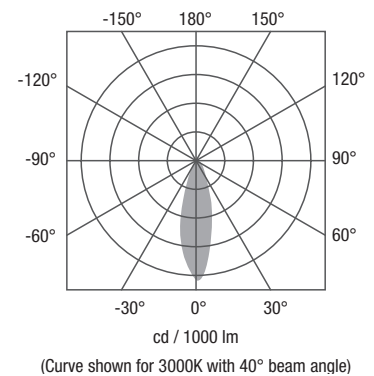
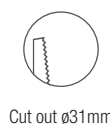
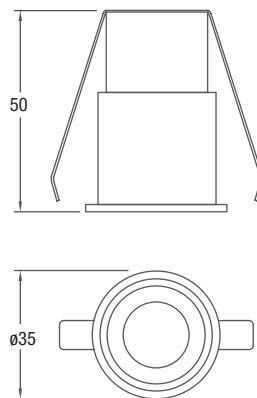
Designed for use in retail, bars, shopping centres, public buildings, office and residential applications.

DESCRIPTION

The LT-Down-10 downlight offers a discreet light source for a wide range of architectural applications. Available in a matt white finish with a fixed output driver.

FEATURES

- IP20
- Clean and neat outlooking design
- Uses Cree XPE - low maintenance cost
- Dedicated thermal management guarantees LED lifetime @ 50,000 hours
- No UV or IR in the light beam



Parameter	Specification		
Light Source	Cree XPE		
Power Consumption (W)	3		
LED Current (mA)	DC 700		
Operating Voltage (V)	AC 100-240V 50/60Hz		
Colour Temperature (K)	3000	4000	6000
Luminous Flux @ 15° (lm)	115	147	142
Luminous Flux @ 30° (lm)	120	132	148
Luminous Flux @ 45° (lm)	120	132	138
Luminous Flux @ 60° (lm)	121	136	135
CRI (Ra)	> 80		
Lifetime (Hrs)	50,000		
Ingress Protection (IP)	20		
Driver Options	Fixed Output		